

CATALOG 2025



THE HOME PROJECT
DESIGN STUDIO

THP

PRODUCTS WITH ORIGIN

We create timeless essentials that make every day special. Using natural materials and learning from ancestral knowledge, every product tells the story of a rebalanced life in our time. An exciting way of enjoying unforgettable moments around the table with the gifts of nature and local culture.



THE HOME PROJECT DESIGN STUDIO

was founded by Álbio Nascimento and Kathi Stertzig. Since 2004, the German-Portuguese design studio works at the intersection of traditional craftsmanship. The fascination with manual, as well as sustainable and transparent production methods, form the basis of their work. They design utilities for the everyday, documenting the cultural origins, used materials, and applied techniques.

Their wholesale collection features: timeless essentials for the Everyday, crafted in natural materials such as wood, cork and ceramic.

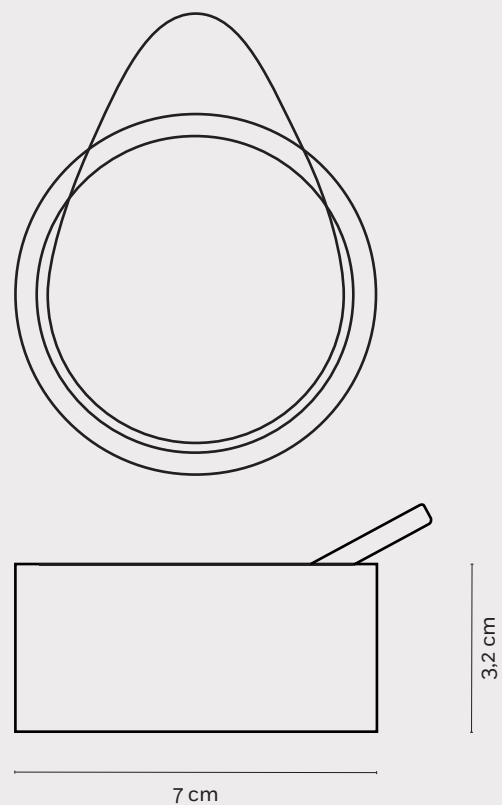


SALEIRO SALT DISPENSER

Saltcontainer for Fleur de Sel. The spoon doubles as lid.
Available with packaging.

Material: Ash wood, oiled

Net Weight: 45g







Products with Origin

THP

Saleiro para Flor de Sal /
Fleur de Sel Container

Products with Origin

THP

Saleiro para Flor de Sal /
Fleur de Sel Container



Este delicado produto em madeira de eixo
é produzido em Portugal, de acordo com
a tradição portuguesa. Este produto
é produzido em Portugal, de acordo com
a tradição portuguesa. Este produto
é produzido em Portugal, de acordo com
a tradição portuguesa.

Created in Portugal

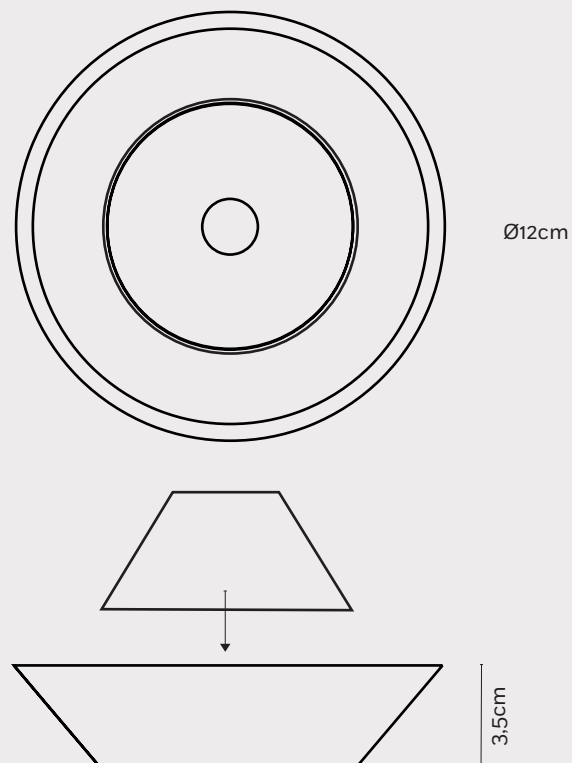
Este delicado produto em madeira de eixo
é produzido em Portugal, de acordo com
a tradição portuguesa. Este produto
é produzido em Portugal, de acordo com
a tradição portuguesa. Este produto
é produzido em Portugal, de acordo com
a tradição portuguesa.

The Home Project
Design Studio
www.the-home-project.com

AZEITONEIRA OLIVE PLATE

A plate to serve olives with a hidden container to keep the cores from sight. Hand thrown in two parts – easy to clean and stackable.

Material: Stoneware, glazed
Variations: white or sage green
Weight: 183g



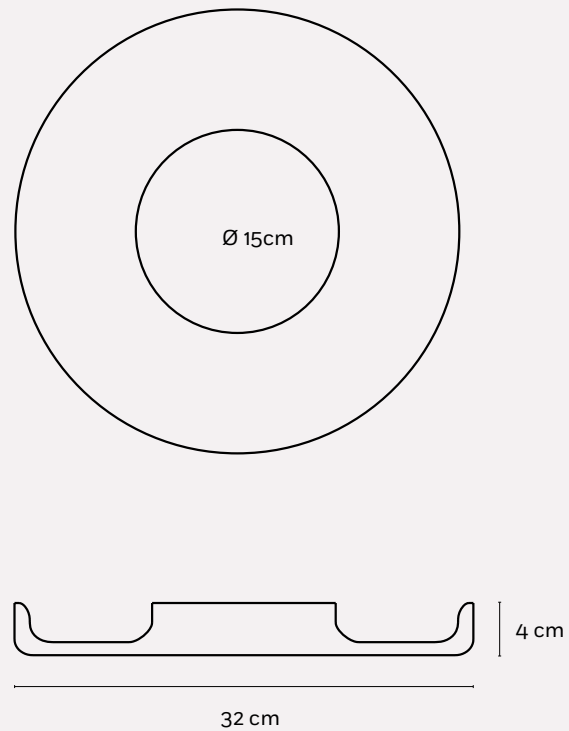


Azeitoneira, sage green

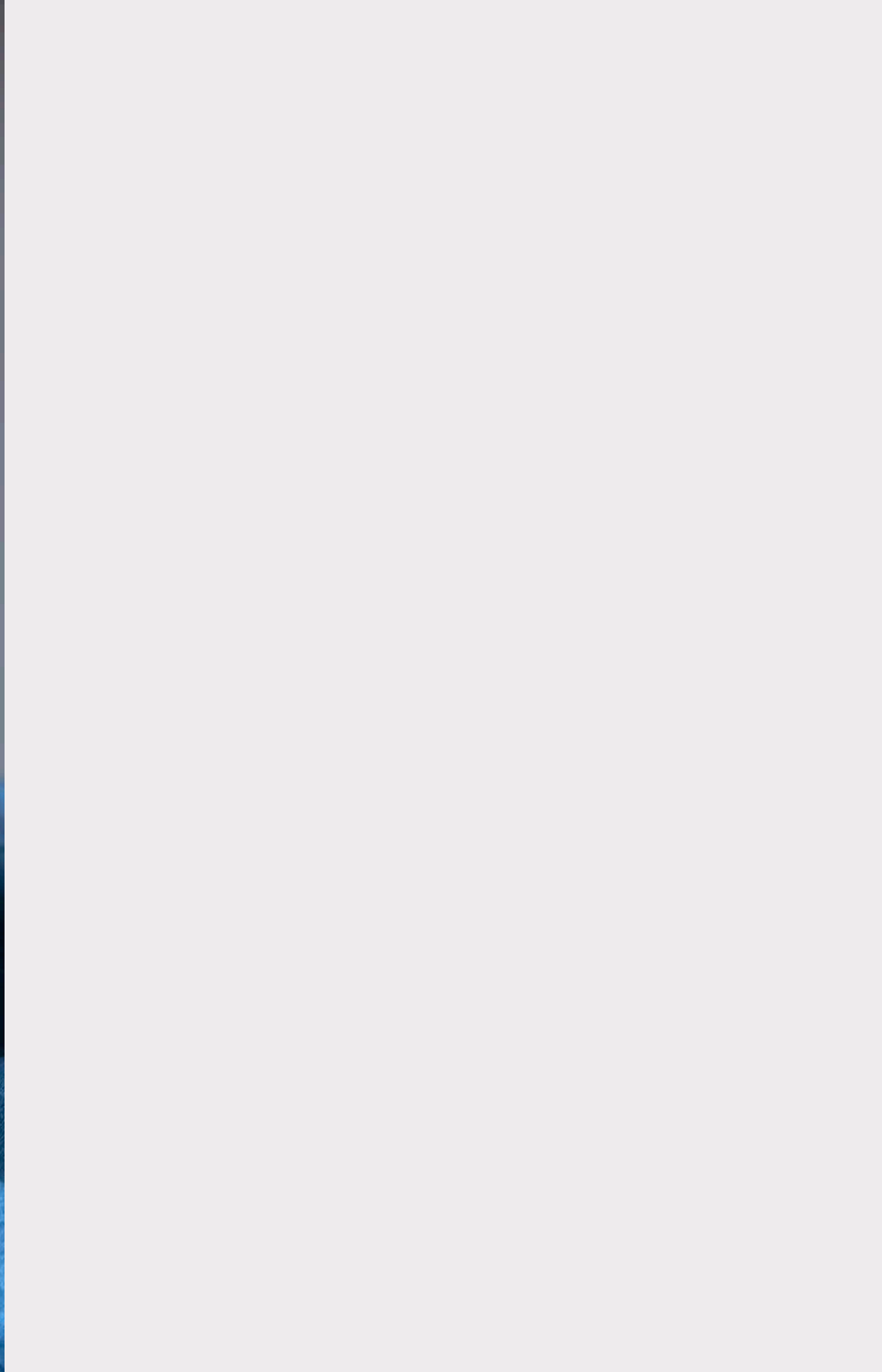
ESCUDELA BOWL

A cutting and serving board for kitchen and table top, inspired by an artefact found in the collection of the ethnographic museum in Lisbon, Portugal

Material: beech wood, oiled (food safe)



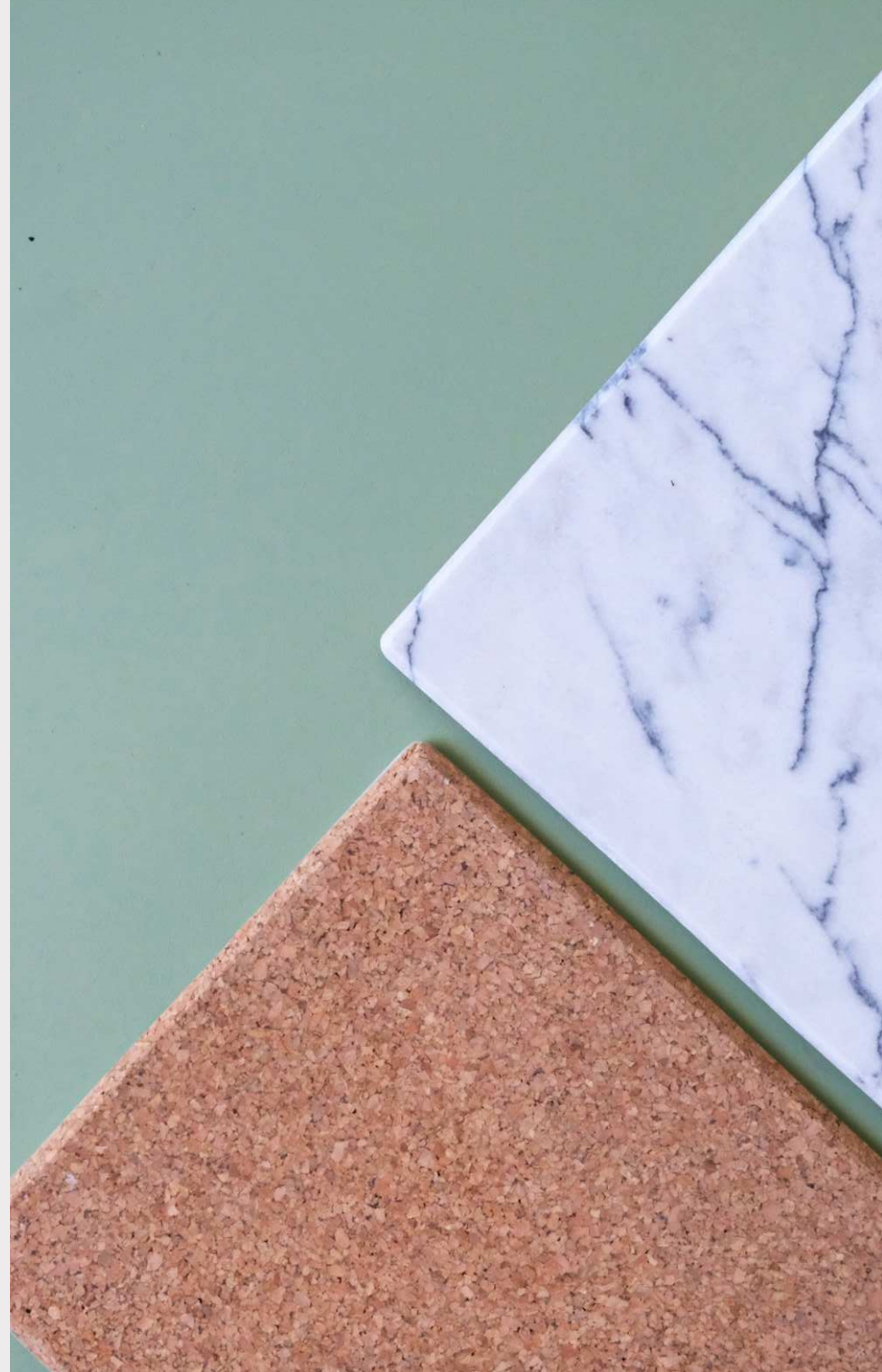
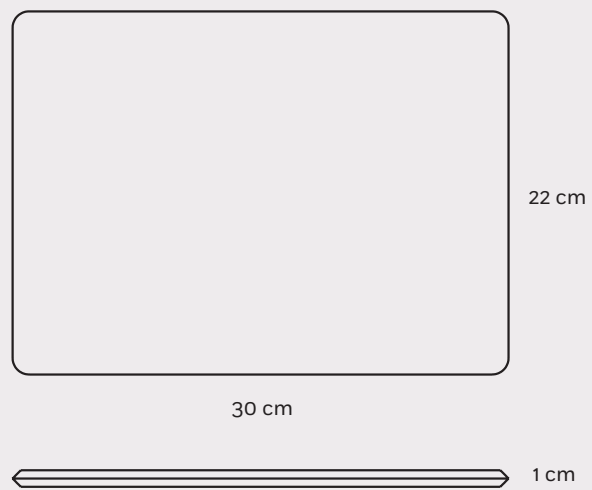




MARBLE-CORK BOARD

A lightweight serving board for table top, made from a sandwich of portuguese marble Estremoz and cork agglomerate.

Material: marble, cork



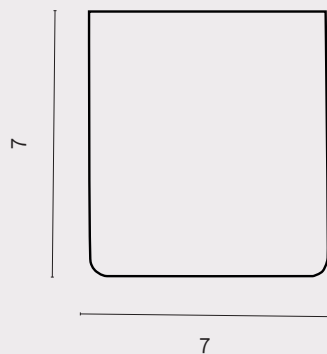


COPO CLAY CUP

A handthrown cup for tea and coffee.

Material: Red clay, white/transparent glazed

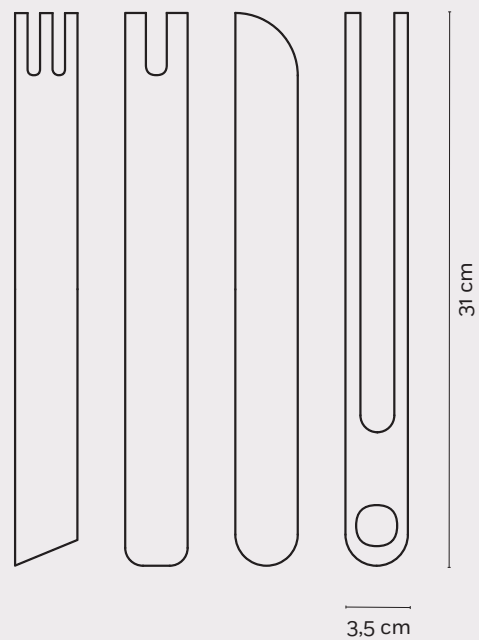
Dimensions: 7x7cm



APRESTOS FOOD TOOLS

Two-sided kitchen tools come with multiple functions:
Mix and flavour, stir-fry and spread or simply serve your food.
Set of 4 items

Material: Oak / Ash wood (preorder)

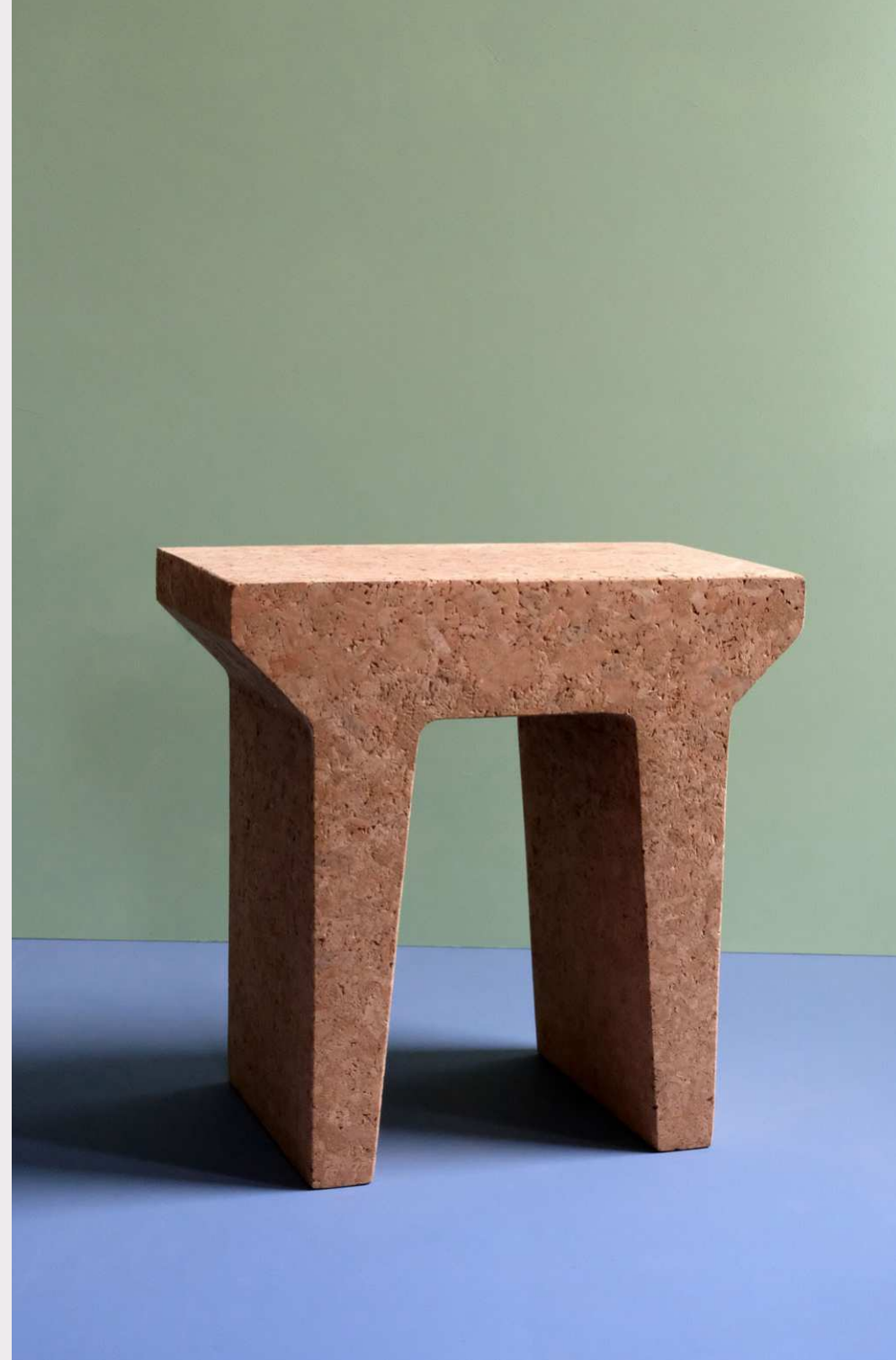
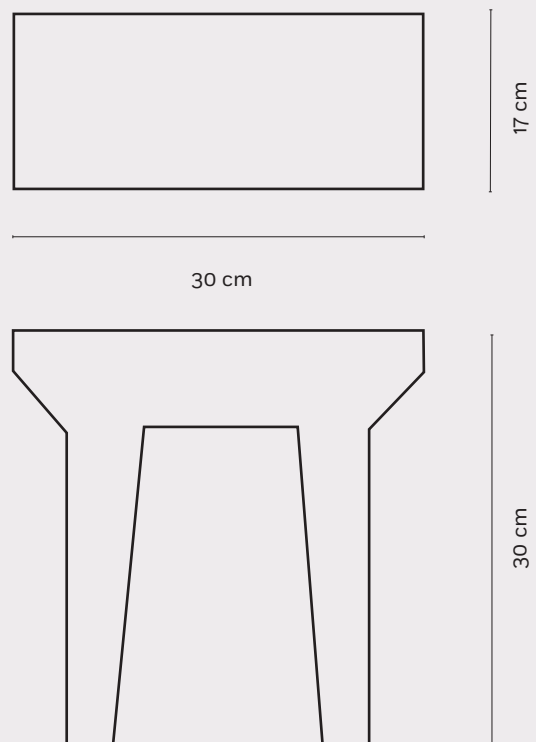




BANCO CORK BENCH

A versatile cork bench that serves as side table and stool - useful inside or outside.

Material: high density natural cork





BREAD BASKET S-L

A breadbasket in 3 sizes. This solid basket is made in wicker from the azorian Islands. .

Variations: H: : 9/10/11cm; Diam.20/23/27cm

Material: Wicker untreated



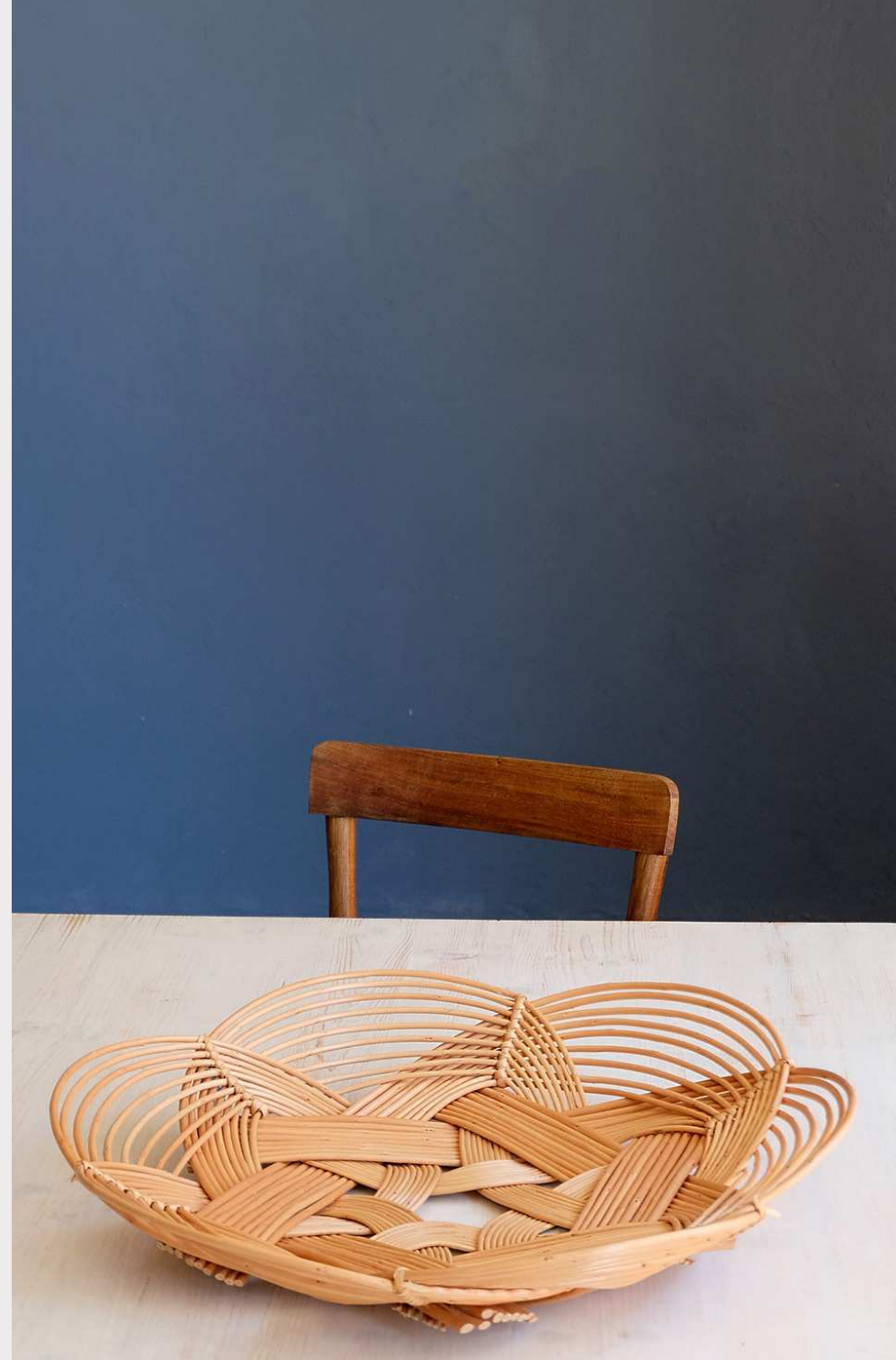
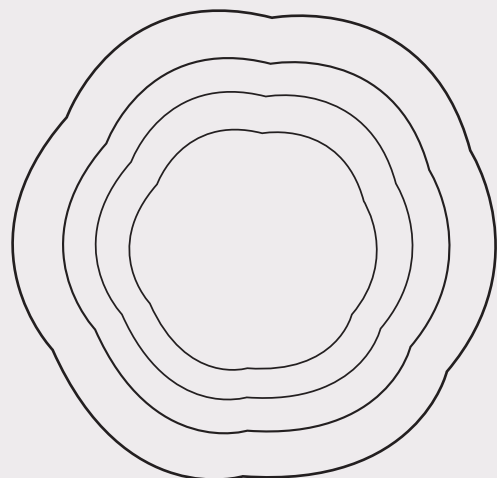
CONDESSA BASKET

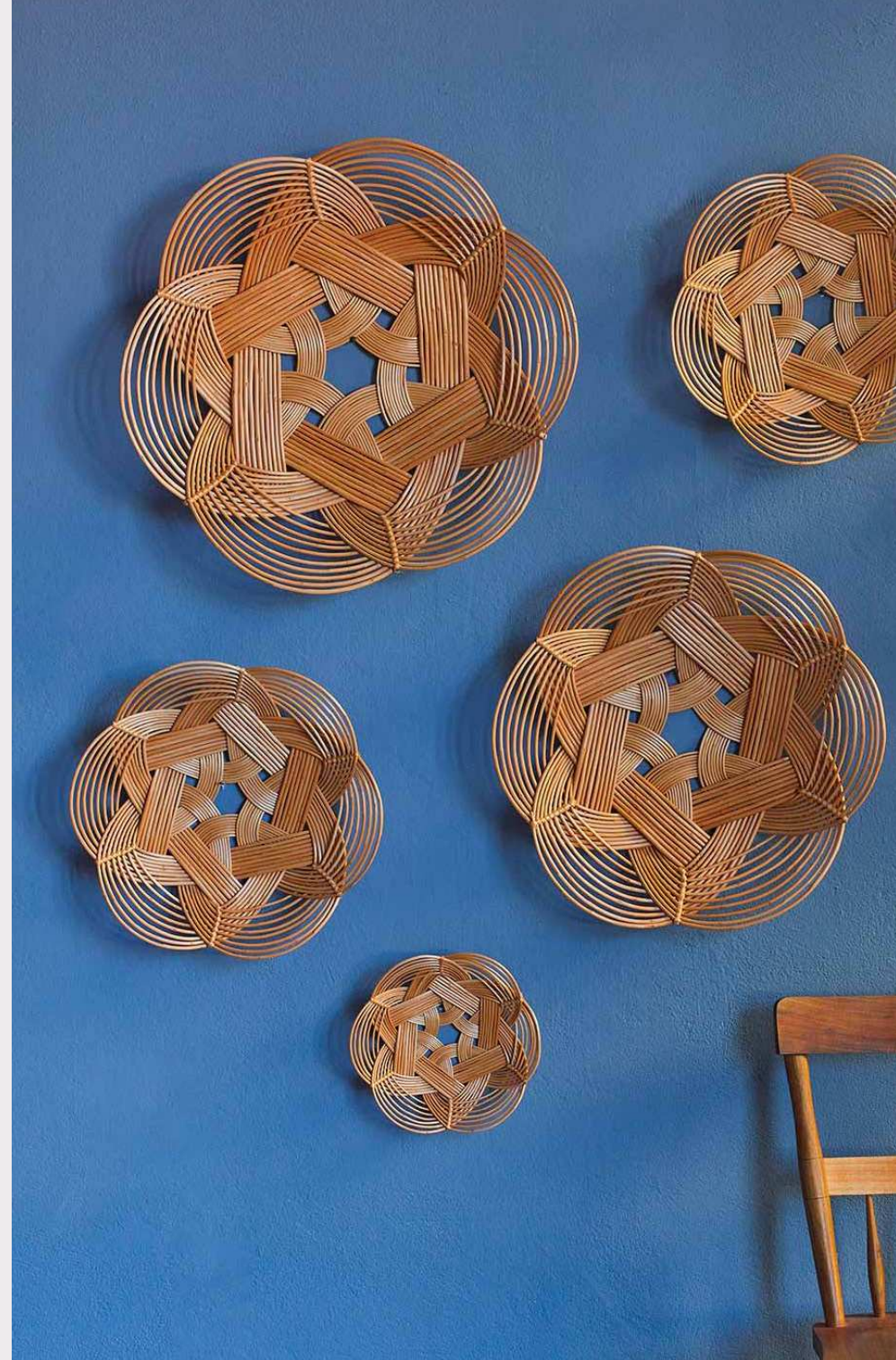
A flat woven wicker basket from the azorian Islands.
Makes a beautiful center piece for tabletop or as iconic wall
decoration.

Variations: diam. 25/40/50/70 cm

Material: Wicker untreated

25 / 40 / 50 /
70 cm



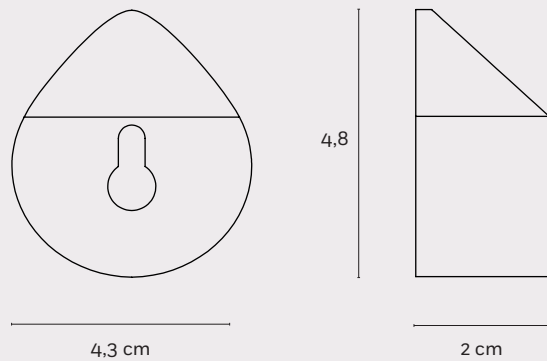


TOALHEIRO HANGERS

A small hanger for towels or jewellery.
Useful in bath, kitchen or children rooms.
Set of 2

Production and sales via "side by side"

Material: Ash wood, untreated / oak wood, oiled
Net Weight: 50 gr



TOALHEIRO HANGER L

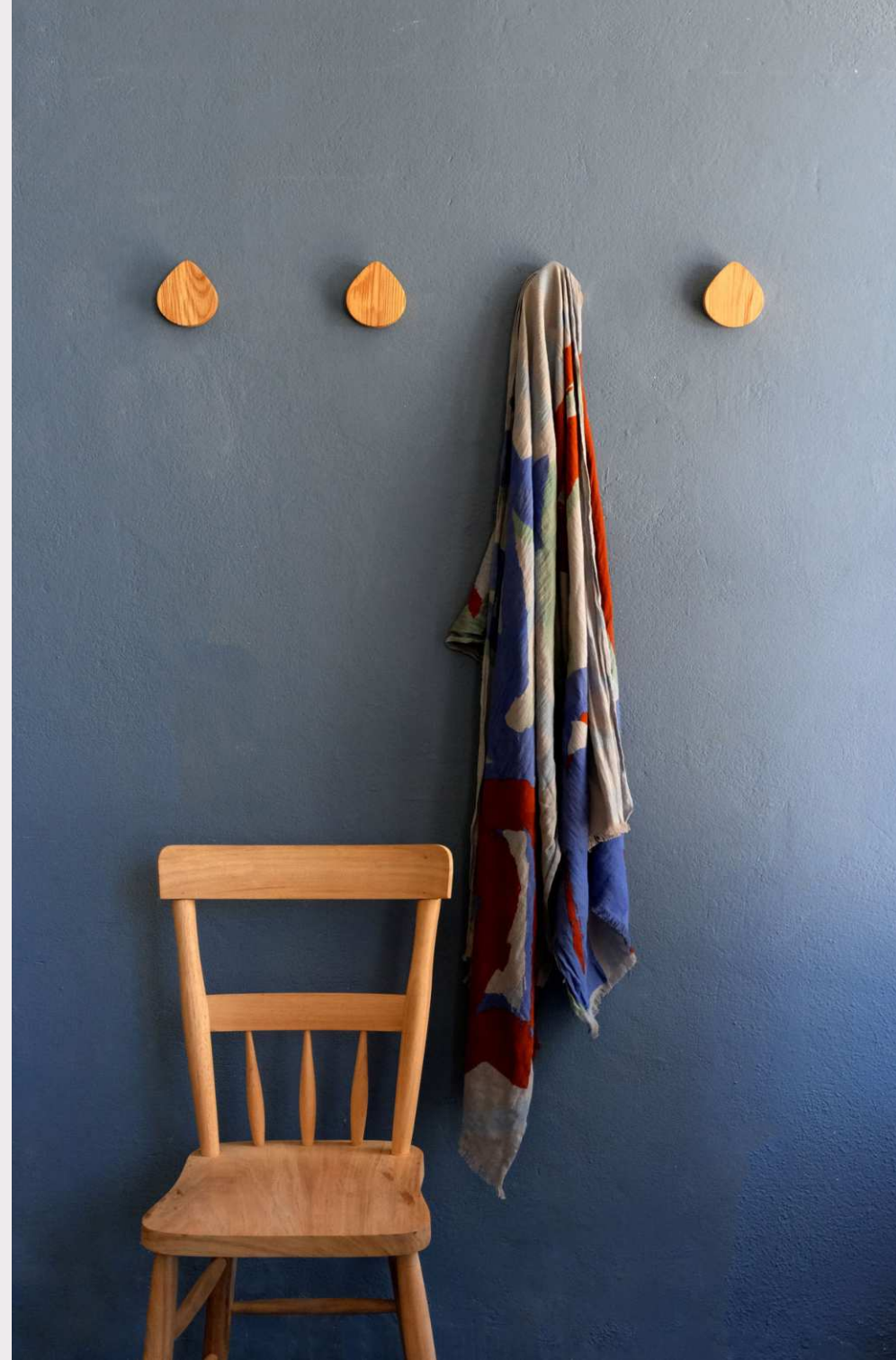
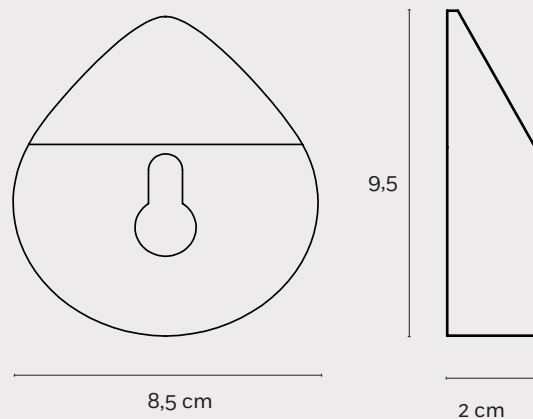
A wooden towel hanger.

Set of 2

Production and sales via “side by side”

Material: Ash wood, untreated / oak wood, oiled

Net Weight: 80gr







TERMS & CONDITIONS

MINIMUM ORDER IS 150€ EXCL. VAT

PRICES DO NOT INCLUDE TRANSPORTATION COSTS AND WILL BE CHARGED SEPARATELY

AVERAGE PRODUCTION TIME IS 6-8 WEEKS, WHICH WILL BE CONFIRMED AFTER ORDER PLACEMENT

PAYMENT REQUIREMENTS: PREPAYMENT FOR FIRST ORDERS

RECOMMENDED RETAIL PRICES INCLUDE VAT

THE PRICELIST IS VALID UNTIL 30 OF MARCH 2025

CRAFT PRODUCTS ARE PRODUCED ON REQUEST

PLEASE NOTE:

Our “craft selection” are handmade items that are produced on request.

We established minimum/maximum quantities with our craftspeople in order to secure the production.

However, since they usually work alone or in small teams, production times can vary. Moreover, production time depends on the availability of natural raw materials, which often can be harvested on specific times only.

Showroom

Rua Actor Vale 32 C-D
1900-025 Lisboa
Portugal

Kathi Stertzig
+351 934 151 551
kathi@the-home-project.com

www.the-home-project.com
@origem_comum

THP